



### Aluminium Curtain Wall EI 30, EI 60, EI 90, EI 120, EW 120 with IGU (Insulated Glass Unit)

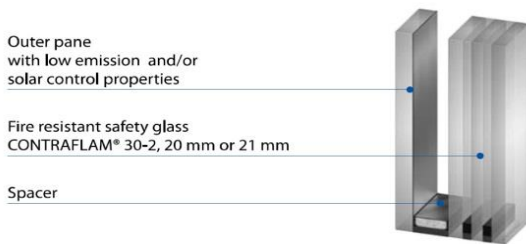
Serie 15 – EI 30, EI 60, EI 90, EI 120, EW 120  
system Curtain Wall from W.M.K. SECUR

SECUR ALU Serie 15 from W.M.K. SECUR is a complete profile system with accessories for fixed partitions formed with aluminium profiles EN AW-6060 aluminium alloy AlMgSi0,5 and core profile of steel.

Dry glazing system with EPDM gaskets and with clip on glazing beads

To prevent passage of smokes, heat and flames it is necessary to install the intumescent strips to seal perfectly the gap between the frame and the glass. Depending on the fire requirement.

Range of application: internal and external.



Outer pane  
with low emission and/or  
solar control properties

Fire resistant safety glass  
CONTRAFLAM® 30-2, 20 mm or 21 mm

Spacer

EI 30 fire rated glass with IGU



Outer pane  
with low emission and/or  
solar control properties

Fire resistant safety glass  
CONTRAFLAM® 60-3, 27 mm or 29 mm

Spacer

EI 60 fire rated glass with IGU

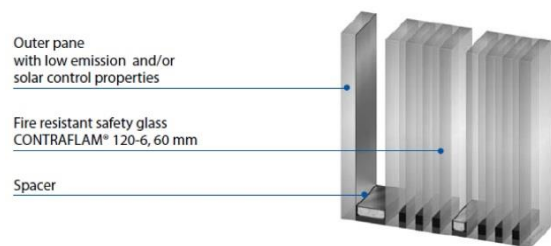


Outer pane  
with low emission and/or  
solar control properties

Fire resistant safety glass  
CONTRAFLAM® 90-4, 40 mm

Spacer

EI 90 fire rated glass with IGU

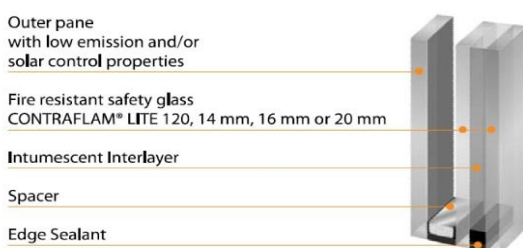


Outer pane  
with low emission and/or  
solar control properties

Fire resistant safety glass  
CONTRAFLAM® 120-6, 60 mm

Spacer

EI 120 fire rated glass with IGU



Outer pane  
with low emission and/or  
solar control properties

Fire resistant safety glass  
CONTRAFLAM® LITE 120, 14 mm, 16 mm or 20 mm

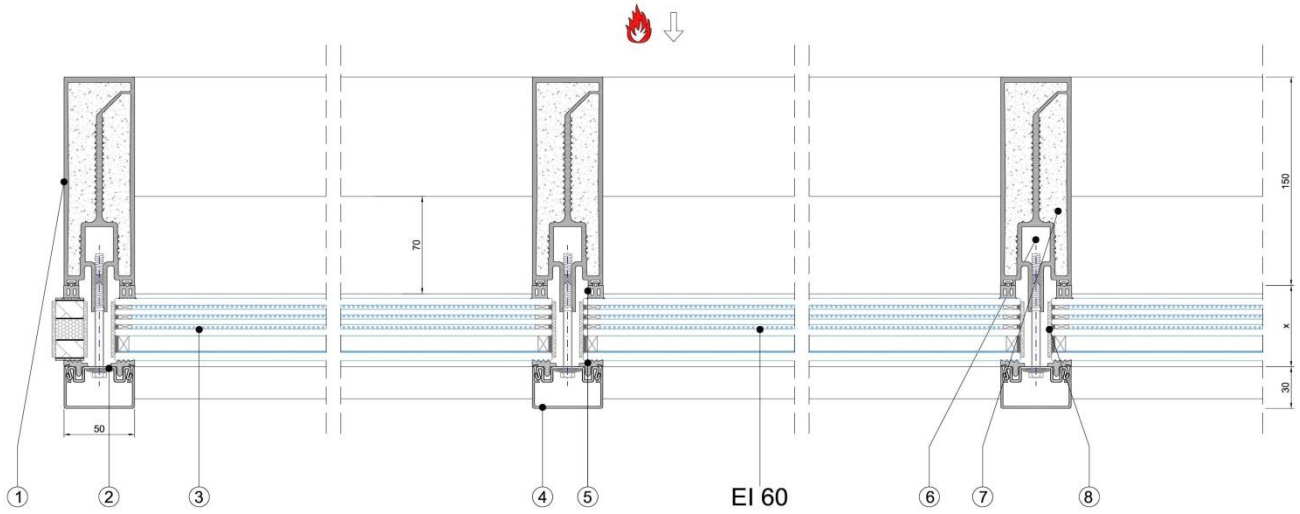
Intumescent Interlayer

Spacer

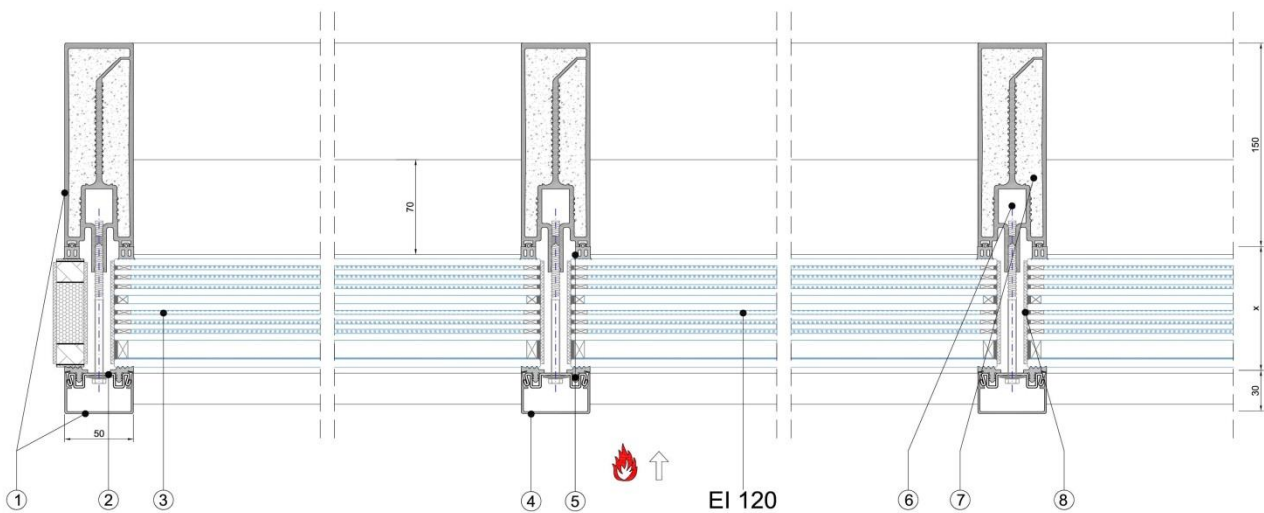
Edge Sealant

EW 120 fire rated glass with IGU

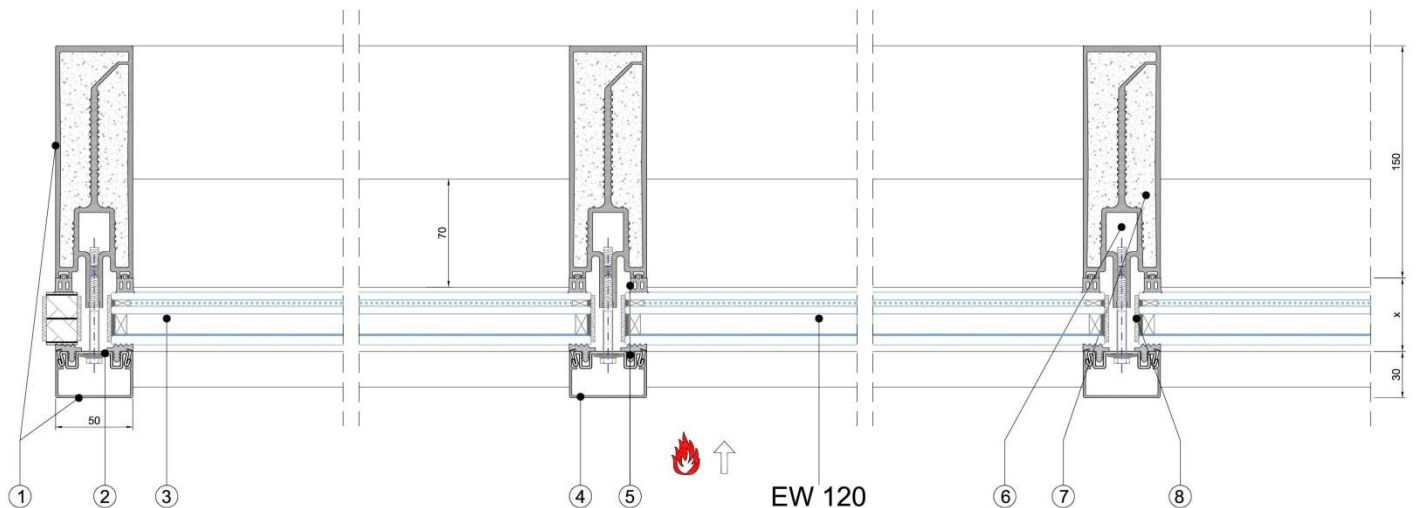
Secur ALU Serie 15 Curtain Wall EI 30, EI 60 with IGU



Secur ALU Serie 15 Curtain Wall EI 90, EI 120 with IGU



Secur ALU Serie 15 Curtain Wall EW 120 with IGU



KEY

- |                                 |                      |                                    |
|---------------------------------|----------------------|------------------------------------|
| ① Aluminium Profile             | ② Steel Profile      | ③ EI/EW glass with IGU             |
| ④ Glazing Beads                 | ⑤ Gasket Beads       | ⑥ Hollow Chamber for reinforcement |
| ⑦ Fireproof insulating material | ⑧ intumescent strips |                                    |

### Aluminium Curtain Wall EI 30, EI 60, EI 90, EI 120, EW 120 with IGU

Main Technical Features:

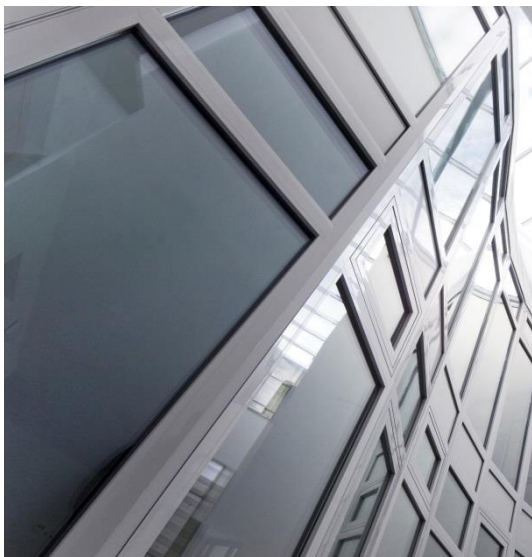
- Aluminium profiles EN AW – 6060, aluminium alloy AlMgSi0,5.

Main Finishes:

- Powder coated
- Anodized

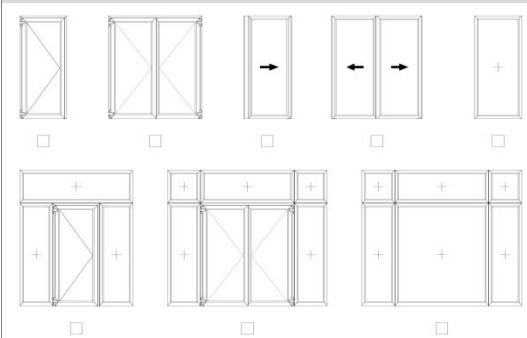


Application example



Application example

**POSSIBLE APPLICATIONS CHART**



SECUR ALU Serie 15	
FINISHING MATERIAL	
✓	Lacquered Aluminium
✓	Anodized Aluminium
✓	Lacquered Imitation Wood
THERMAL BRIDGE RUPTURE	
✓	Without thermal break**
	With thermal break
FIRE PROTECTION	
	EW 30
	EW 60
	EW 90
✓	EW 120
✓	EI 30
✓	EI 60
✓	EI 90
✓	EI 120
SYSTEMS	
	Fixed Partition
	Door
	Anti-trap system
✓	Mixed elements
	Horizontal systems
✓	Curtain Wall
DESIGN OPTIONS	
	Concealed barrel hinge
	Screw on hinge
	Door top closer
	Door floor closer
	Concealed top closer
	Integrated Selector
	Electrical latch and lock
	Antipanic push bar recessed
	Antipanic push bar overlapping
	Handle
	Push handle
	Retainer floor
	Retainer wall
	Retainer integrated
	Drop Sealant
**	however, only screw from outside to inside at a distance of 250 mm
AUTOMATION	
	Access control
	Automatic opening